

PROVAC P 5000

Cyclone Stick Vacuum Cleaner

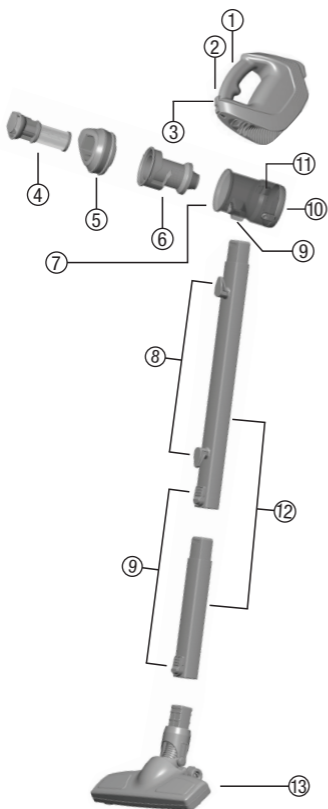
USER MANUAL



CE

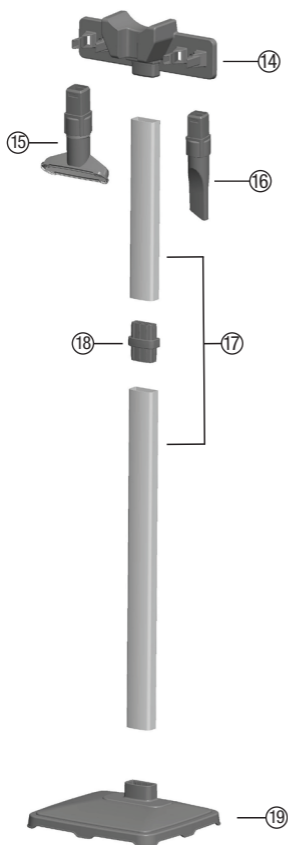
Fantom

COMPONENT PARTS



- 1-Motor Body
- 2-On/Off Switch
- 3-Body Locking Latch
- 4-Hepa Filter
- 5-Dustbin Upper Cover
- 6-Cyclone Chamber
- 7-Dustbin
- 8-Cable Winding Latch
- 9-Pipe Locking Latch
- 10-Dustbin Bottom Cover
- 11-Dustbin Locking Latch
- 12-Extension Tubes
- 13-Floor Nozzle

COMPONENT PARTS



14-Hanger

15-Upholstery Nozzle

16-Crevice Nozzle

17-Stand Pipes

18-Stand Pipe Joint Adapter

19-Stand Pallet

SAFETY RULES

**WARNING: READ BEFORE USING THE DEVICE,
IF THESE INSTRUCTIONS ARE NOT FOLLOWED.
WARRANTY IS VOID.**

- The PROVAC P 5000 Stick Vacuum Cleaner is designed for domestic use. Use your device for its intended purpose and only for dry cleaning. Do not use for vacuuming water or other liquids.
- Always use original spare parts and accessories to protect the safety of your device. Warranty will not be valid for malfunctions caused by the use of unsuitable parts. For repair of spare parts, apply to the nearest PROVAC authorized service.
- Do not use the device with a damaged cable.
- Do not vacuum harmful dust.
- Never use your device without a motor protection filter.
- Do not leave the plug of your cleaner plugged into the socket. When you are finished, turn off the device and remove the plug from the socket. Do not handle the plug with wet hands.
- If your appliance does not work for any reason, if there is any damage on the cable and plug, do not operate the vacuum cleaner and apply to the nearest PROVAC authorized service.
- Do not carry your device by holding the cable.
- Only use the device as described in the user manual, do not use it for any other purpose.
- Do not use your vacuum cleaner for cleaning materials such as hot ash, razors and nails, as well as flammable liquids and oils.
- Keep your vacuum cleaner and its cord away from stoves, ovens and similar heat sources.
- Never use your device in or near explosive atmospheres and materials.
- In order to prevent the filters of your device from clogging and to extend the engine life; flour, drill powder, gypsum powder etc. Do not vacuum dust.
- Do not wash the engine compartment with water, do not immerse it in water or similar liquids.
- It can be used by children aged 8 years and above, and people with insufficient physical, emotional or mental capabilities or lack of experience and knowledge, as long as they are supervised or trained in the safe use of your device and its hazards. Children should not play with the device. Cleaning and user maintenance should not be performed by children unless they are supervised. Children under the age of 3 who are not under constant supervision should be kept away.
- Do not allow your device to be used as a toy by children and make sure that it is not used.

ASSEMBLY AND DRY VACUUMING



Before use vacuum cleaner, put the hepa filter in the chamber, as shown in the picture.

To connect the extension tubes, lock them by pushing the lock slots facing each other.

Lock the floor nozzle by pushing it so that the lock slots on the extension tube are facing each other. Your product will be ready to use.

Place the stand pallet on the floor. Connect the long and short stand pipe by the joint adapter. Place the stand pipes in a way that it assambled before with the slot on the stand pallet and press it into place. Insert the vacuum cleaner hanger into the top of the stand pipe and push it downwards until it is seated.

Your stand will be ready to use.

Place your vacuum cleaner on the stand as shown in the picture. Place the crevice nozzle and the upholstery nozzle on the right and left edges of the vacuum cleaner hanger.

ASSEMBLY AND DRY VACUUMING



You can use your vacuum cleaner by plugging in your vacuum cleaner and turning on the on/off switch.



In order to use your vacuum cleaner in hard-to-reach and narrow areas, you can attach the crevice nozzle to the end of the extension tube as shown in the picture.



For use your vacuum cleaner on sofa, etc. you can use it by attaching the upholstery nozzle to the end of the extension tube or directly to the suction mouth for use in places as seen in the picture.

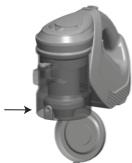
When you finished vacuuming, turn the switch to the off position and unplug your vacuum cleaner when you are not using it. Keep your device by placing it on its stand after use.

CLEANING AND STORAGE

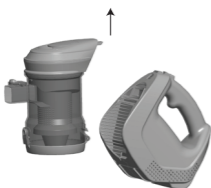


Note: Before cleaning your device, be sure to unplug it from the socket.

Before cleaning, remove the extension tubes by pressing the lock latch on the extension tubes of your vacuum cleaner and pulling it downwards.



For cleaning, first open the bottom cover of the dustbin and ensure that the dust is emptied into the trash.



By pressing the body opening latch, move the body upwards and separate it from the chamber as shown in the picture.

CLEANING AND STORAGE



Remove the dustbin cover by turning and separate it from the dustbin. Remove the cyclone chamber from the dustbin.

Clean the plastic parts by shaking them.

For hepa filter cleaning, pull out the hepa filter from the dust chamber top cover, shake it and replace it.

When placing the cyclone chamber into the dustbin, make sure that the tab on the cyclone chamber corresponds to the slot in the dust bin as shown in the Picture.



Place the dust bin as shown in the picture so that the tab part corresponds to the slot on the motor body and push the hopper towards the motor body so that it is seated.



Note: Do not wash the motor body of your device, do not immerse it in water. Wipe clean only. You can also clean other accessories of your device by wiping them.

CLEANING AND STORAGE



After cleaning, fix the tubes by pressing the extension tubes of your device so that they coincide with the lock latches as seen in the picture.



Put your vacuum cleaner on the stand hanger as shown in the picture.



Make sure the vacuum cleaner is stable on the stand.

CLEANING AND STORAGE



You can easily wind the power cable on the extension tubes as shown in the picture. When you are not using your device, you can store it without taking up space by placing it on its stand as shown in the picture.

TECHNICAL SPECIFICATIONS

TYPE P XY

Rated Voltage : 220-240 V AC

Rated Frequency : 50 / 60 Hz

Power : 850 W

Net Weight : 2.30 kg



RoHS2
2011/65/EU



Fanset Elektrikli Ev Aletleri San. Ve Tic. A.Ş.

Halkalı Merkez Mahallesi Sönmez Sokak

No:8/1 34303 Küçükçekmece - İstanbul - Türkiye

T. +90212 697 57 70 (pbx) T. 444 5 770 F. +90212 548 98 78

www.fanset.com - info@fanset.com